



Docho Auto Parts



Engine Block & Cylinder Head

HYUNDAI/KIA SERIES

Factory Introduction



Yantai Docho Auto Parts Technology Co., Ltd., is an integrator focusing on automotive engine parts. The company has more than 20 years of industry experience, mainly engaged in the assembly and supply of engine parts, the main products are cylinder head assembly, long and short cylinder block assembly of gasoline and diesel engine, also its key parts of the products.

The company adopted strict material control and continuous technical innovation to ensure product quality and meet the customization needs of different customers.

Adhering to the principle of "mutual benefit and win-win", the company is committed to providing diversified products and cost-effective solutions for the global aftermarket.

Company Certification



Business License

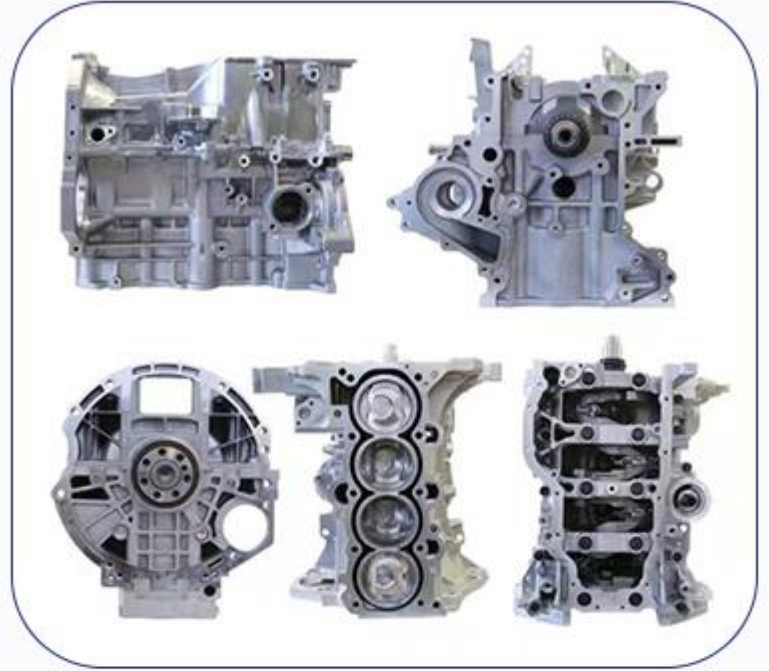


Certification of ISO9001, ISO14001, ISO45001

Product Introduction



Cylinder Head Assy



Short Block Assy



Engine Power Unit



Parts & Accessories



Engine Power Unit

Y SERIES



Engine Model

G4FA/G4FC

Displacement

1.4L/1.6L

Car Model

Verna
Kia K2
Forte

Engine Model

G4FJ/G4FD

Displacement

1.6T/1.6DVVT

Car Model

Verna
Kia K2
Elantra



Engine Model

G4FG

Displacement

1.6DVVT

Car Model

Elantra
K3





Engine Model

G4FA/G4FC

Displacement

1.4L/1.6L

Car Model

Verna
Kia K2
Forte

Engine Model

G4FJ/G4FD

Displacement

1.6T/1.6DVVT

Car Model

Verna
Kia K2
Elantra



Engine Model

G4FG

Displacement

1.6DVVT

Car Model

Elantra
K3





Engine Model	G4FA/G4FC
--------------	-----------

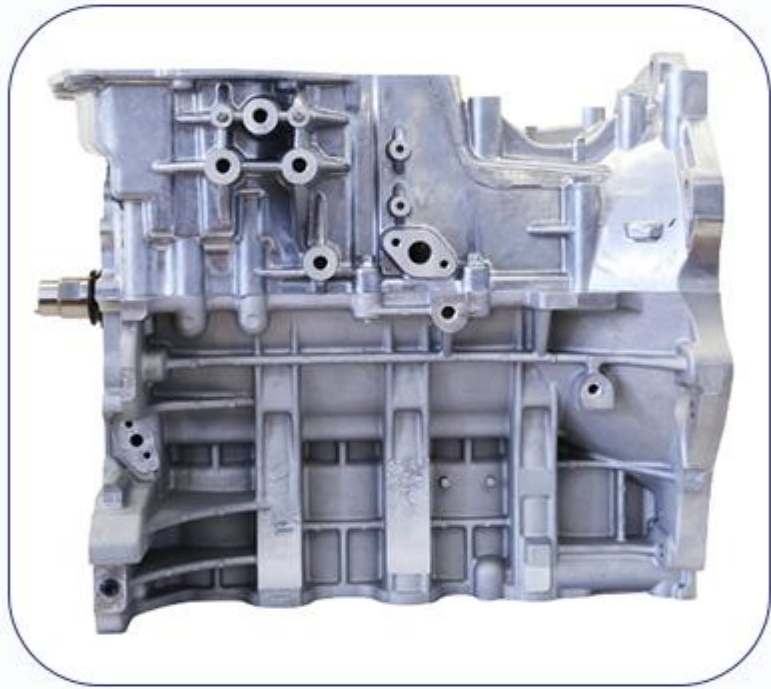
Displacement	1.4L/1.6L
--------------	-----------

Car Model	Verna Kia K2 Forte
-----------	--------------------------

Engine Model	G4FJ
--------------	------

Displacement	1.6T
--------------	------

Car Model	Verna Kia K2 Elantra
-----------	----------------------------



Engine Model	G4FD
--------------	------

Displacement	1.6DVVT
--------------	---------

Car Model	Verna Kia K2 Elantra
-----------	----------------------------





Engine Model

G4FG

Displacement

1.6DVVT

Car Model

Elantra
K3

θ SERIES



Engine Model

G4KD

Displacement

2.0

Car Model

IX35
Kia Sportage

Engine Model

G4KE (HIGH
LOW)

Displacement

2.4

Car Model

Sorento
IX35



Engine Model

G4KG

Displacement

2.4

Car Model

Starec
Kia





Engine Model

G4KJ/G4KH

Displacement

2.4GDI/2.0T

Car Model

Santafe
IX45

Engine Model

G4KJ/G4KH
NEW

Displacement

2.4

Car Model

New Sorento
Sorento



Engine Model

G4KD/G4KE

Displacement

2.0/2.4

Car Model

IX35
Kia Sportage





Engine Model	G4KG
--------------	------

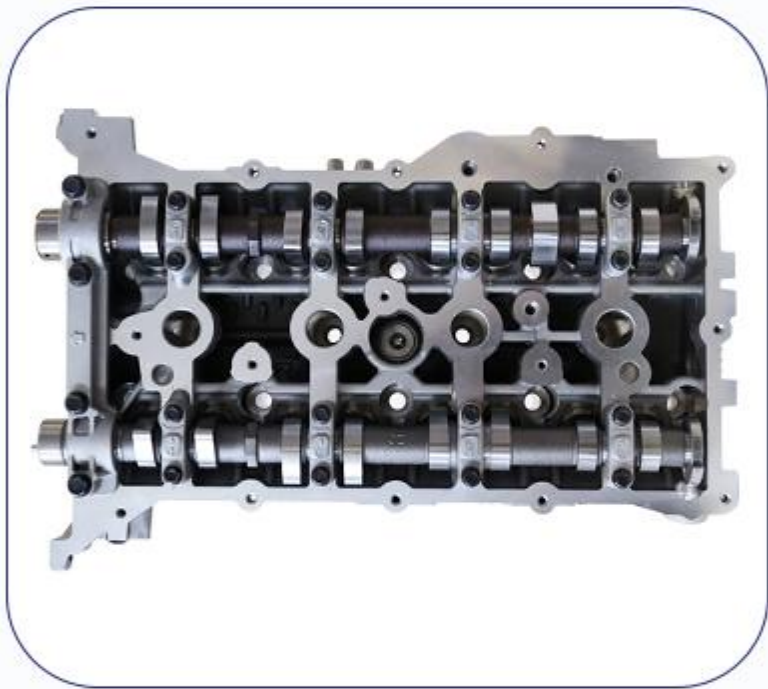
Displacement	2.4
--------------	-----

Car Model	Starec Kia
-----------	---------------

Engine Model	G4KJ/G4KH
--------------	-----------

Displacement	2.4GDI/2.0T
--------------	-------------

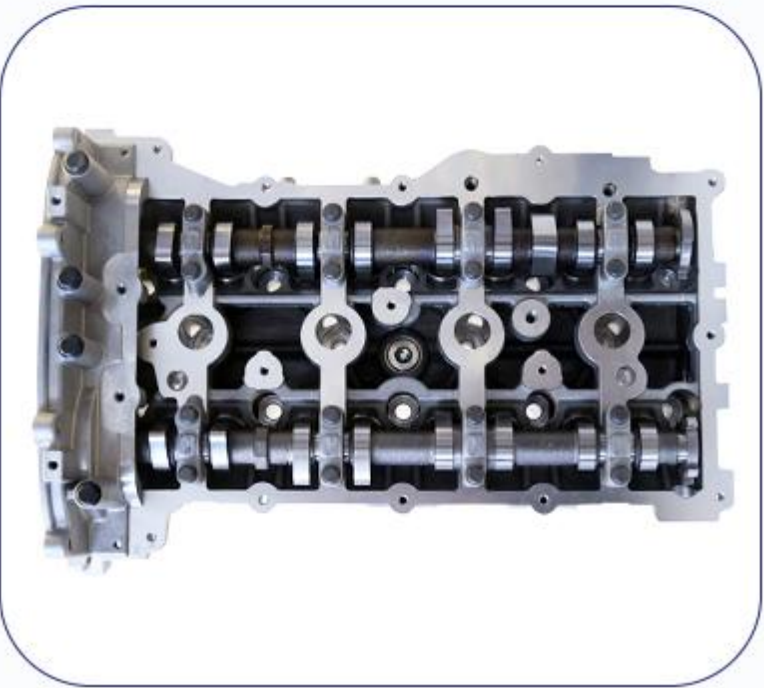
Car Model	Santafe IX45
-----------	-----------------



Engine Model	G4KJ/G4KH NEW
--------------	------------------

Displacement	2.4
--------------	-----

Car Model	New Sorento Sorento
-----------	------------------------





Engine Model

G4KD/G4KE

Displacement

2.0/2.4

Car Model

IX35
Kia Sportage

Engine Model

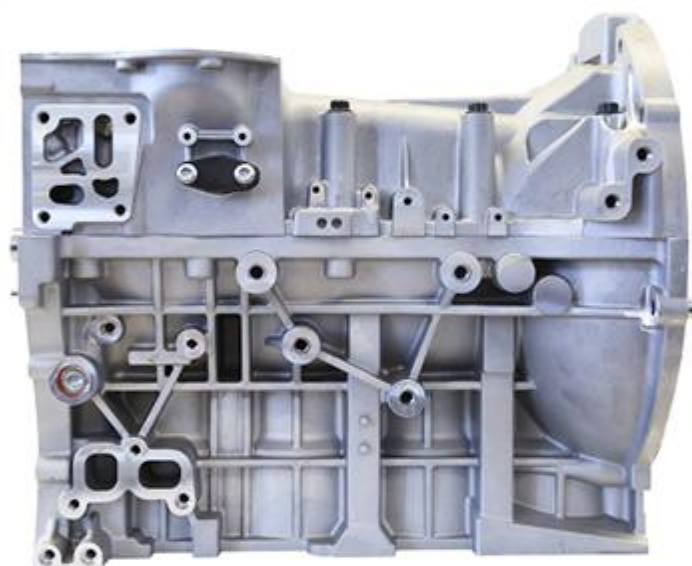
G4KG

Displacement

2.4

Car Model

Starec
Kia



Engine Model

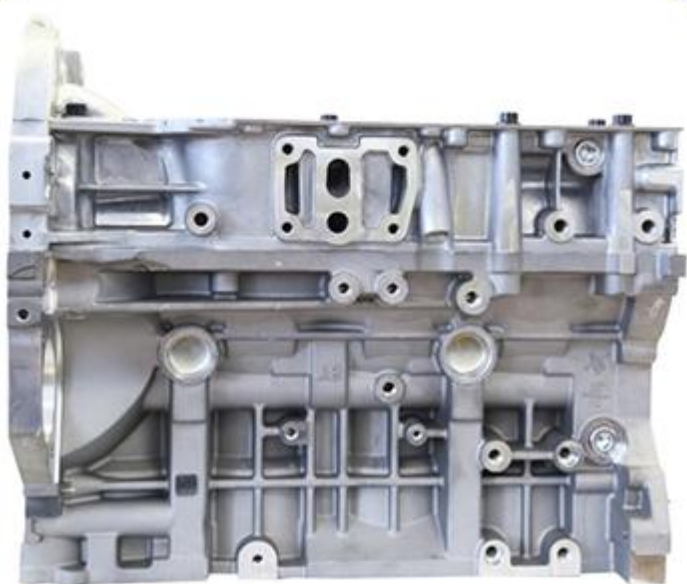
G4KJ/G4KH

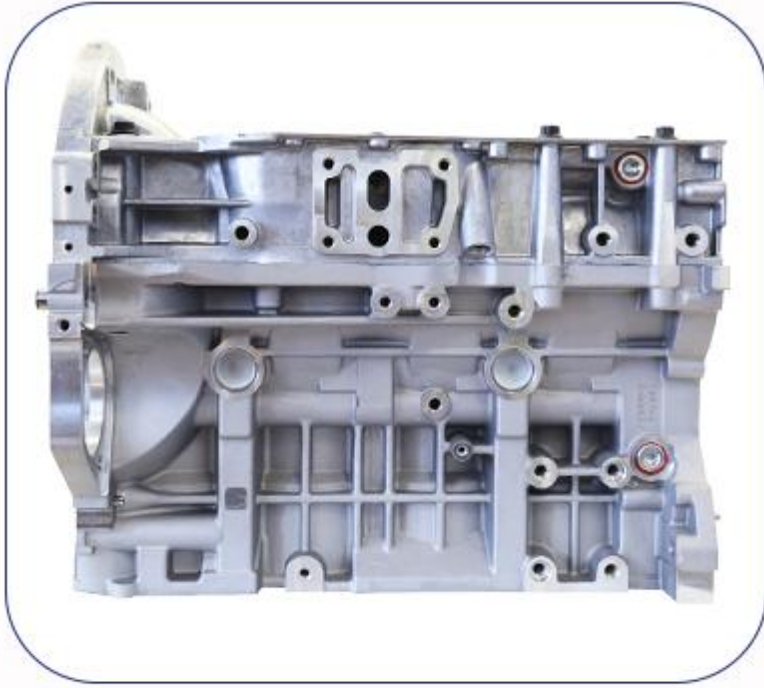
Displacement

2.4GDI/2.0T

Car Model

Santafe
IX45





Engine Model

G4KJ/G4KH
NEW

Displacement

2.4

Car Model

New Sorento
Sorento

NU SERIES



Engine Model

G4NA/G4NB

Displacement

2.0L/1.8L

Car Model

IX35
Mistra

Engine Model

G4NA/G4NB
NEW

Displacement

2.0

Car Model

Sorento
IX35
Sonata 8



Engine Model

G4NC

Displacement

2.0

Car Model

Tucson PK





Engine Model

G4NA/G4NB

Displacement

2.0L/1.8L

Car Model

IX35
Mistra

Engine Model

G4NA/G4NB
NEW

Displacement

2.0

Car Model

Sorento
IX35
Sonata 8



Engine Model

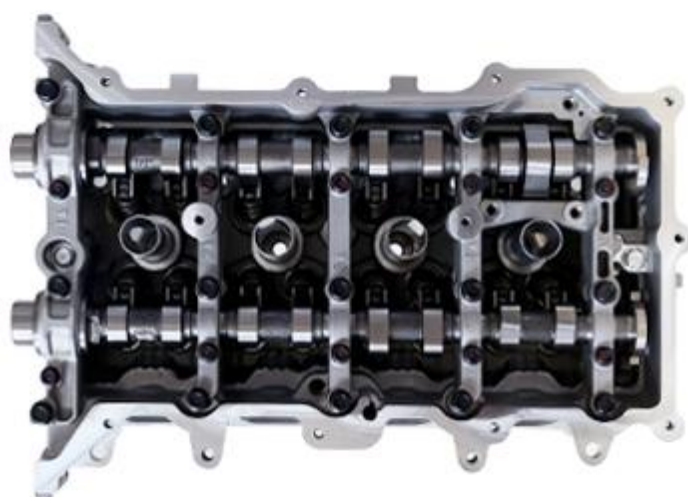
G4NC

Displacement

2.0

Car Model

Tucson PK





Engine Model

G4NA/G4NB

Displacement

2.0L/1.8L

Car Model

IX35
Mistra

Engine Model

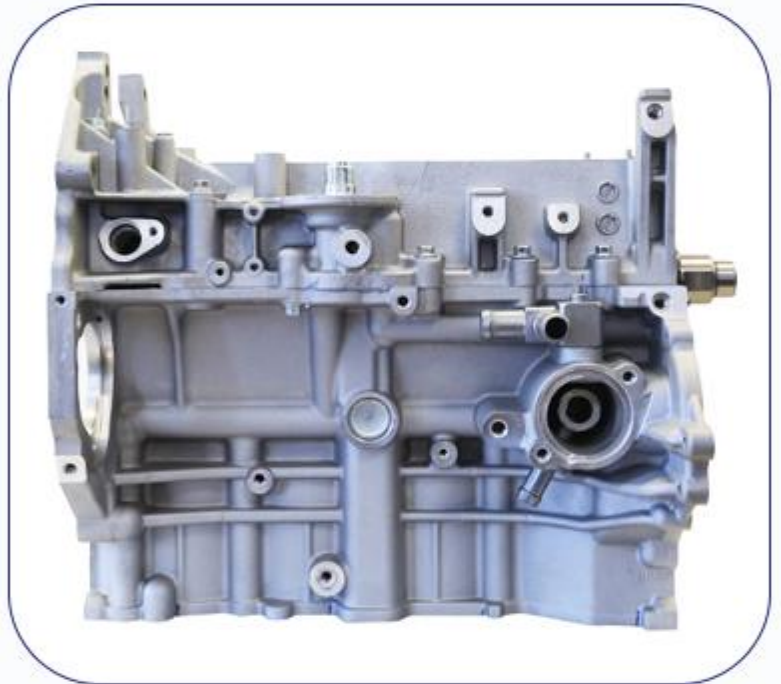
G4NC

Displacement

2.0

Car Model

Tucson PK



KAPPA SERIES



Engine Model

G4LA

Displacement

1.2

Car Model

Verna
Pegas

Engine Model

G4LC

Displacement

1.4

Car Model

Verna
Pegas



Engine Model

G4LA/LC

Displacement

1.2/1.4

Car Model

Verna
Pegas





Engine Model

G4LA/LC

Displacement

1.2/1.4

Car Model

Verna
Pegas

Crankshaft



Y series
G4FA/FC G4FD G4FG G4FJ



θ series
G4KD/KE G4KG G4KJ G4KH



NU series
G4NA/NB G4NC



KAPPA series
G4LA/LC

Product Package



Logistics



Payment Method

Foreign currency account

Beneficiary Name :Yantai Docho Auto Parts Technology Co., Ltd

Beneficiary Account Number :237751299015

Country Region :China

Swift Code :BKCHCNBJ51A

Beneficiary Address :Room 106 of No.61-3 ,Tianshan Road,
Fulaishan Street, Yantai area of Pilot Free Trade Zone, Shandong
Province ,China

Beneficiary Bank :Bank Of China Limited Yantai Free Trade Port
Area Sub-Branch

Beneficiary Bank Address :NO.88-1 Huanhai Road ,Yantai
City,Shandong,P.R.China



Integrator of **auto engine products**



Yantai Docho Auto Parts Technology Co., Ltd

Tel :+86 13105358105

whatsapp:+86 13105358105

E-mail:anny@docho.com.cn

Add:Room 106 of No.61-3 ,Tianshan Road, Fulaishan Street,
Yantai area of Pilot Free Trade Zone, Shandong Province ,China